

Thrust Ball Bearings

Bearing No. : **NACHI 53202U**

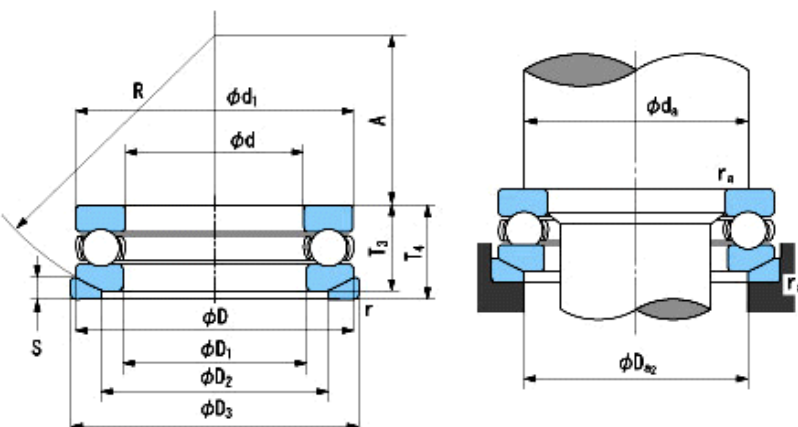
■ Bearing Type

■ Clearance

■ Tolerance Class

Dimensions

- d = 15 0
 -0.008
- D = 32 0
 -0.016
- T3 = 13.3
- T4 = 15
- r = 0.6~1.5
- (Radial Direction and Axial Direction)
- d1(max) = 32
- D1(min) = 17
- D2 = 24
- D3 = 35
- S = 4
- R = 28
- A = 12



Dimensions

- da(min) = 25
- Da2(max) = 24
- ra(max) = 0.6
- Mass = 0.061 kg

Basic Dynamic Load Rating Ca :	16,600 N	INNER RING	OUTER RING
Basic Static Load Rating Coa :	24,800 N	O.D.Surface Runout with Side :	-
Limiting Speed ;		Axial Runout with Bore :	-
Grease Lubrication :	5,100 min ⁻¹	Axial Runout with Raceway :	-
Oil Lubrication :	7,600 min ⁻¹	Width Variation :	-
		Radial Runout :	-